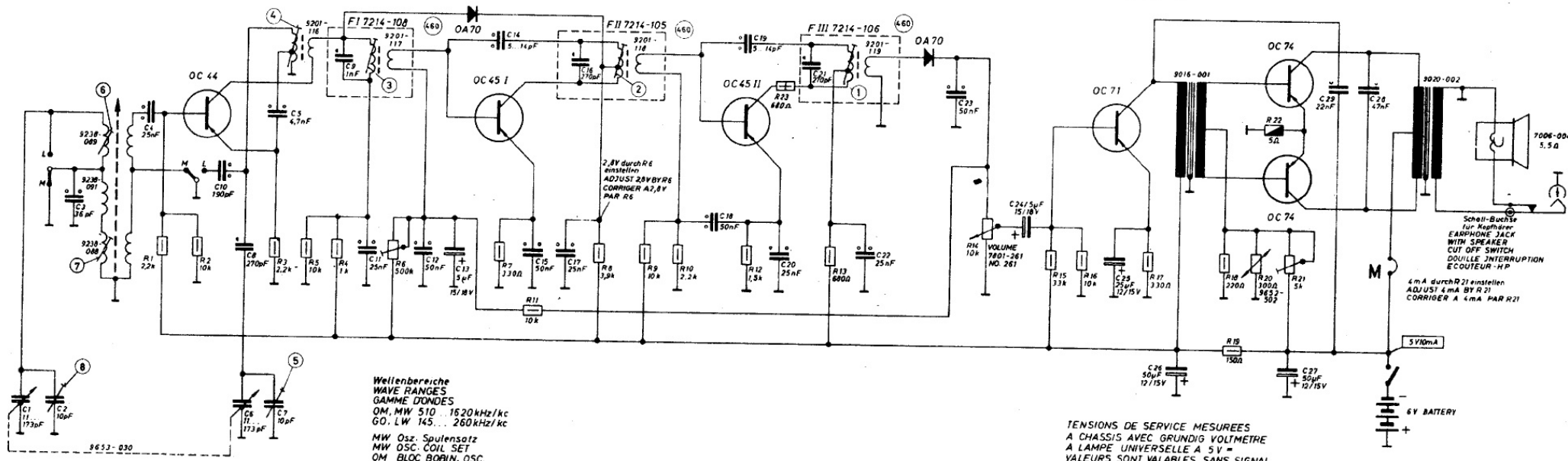


COLLECTOR(C) = RED, ROUGE, ROT



C:	1,	2,	3,	4,	10,	4,6,	5, 7,	9,	11,	12,	13,	14,	15,	17, 16,	18,	19,	20,	21,	22,	23,	24,	25,	26,	27,	29,	28,	
R:	1,	2,	3,	5,	4,	6,	7,	11,	8,	9,	10,	12,	23,	13,	14,	15,	16,	17,	18,	19,	20,	21,	22,	23,	24,	25,	26,



# Taschen-Transistor-Boy II 59

